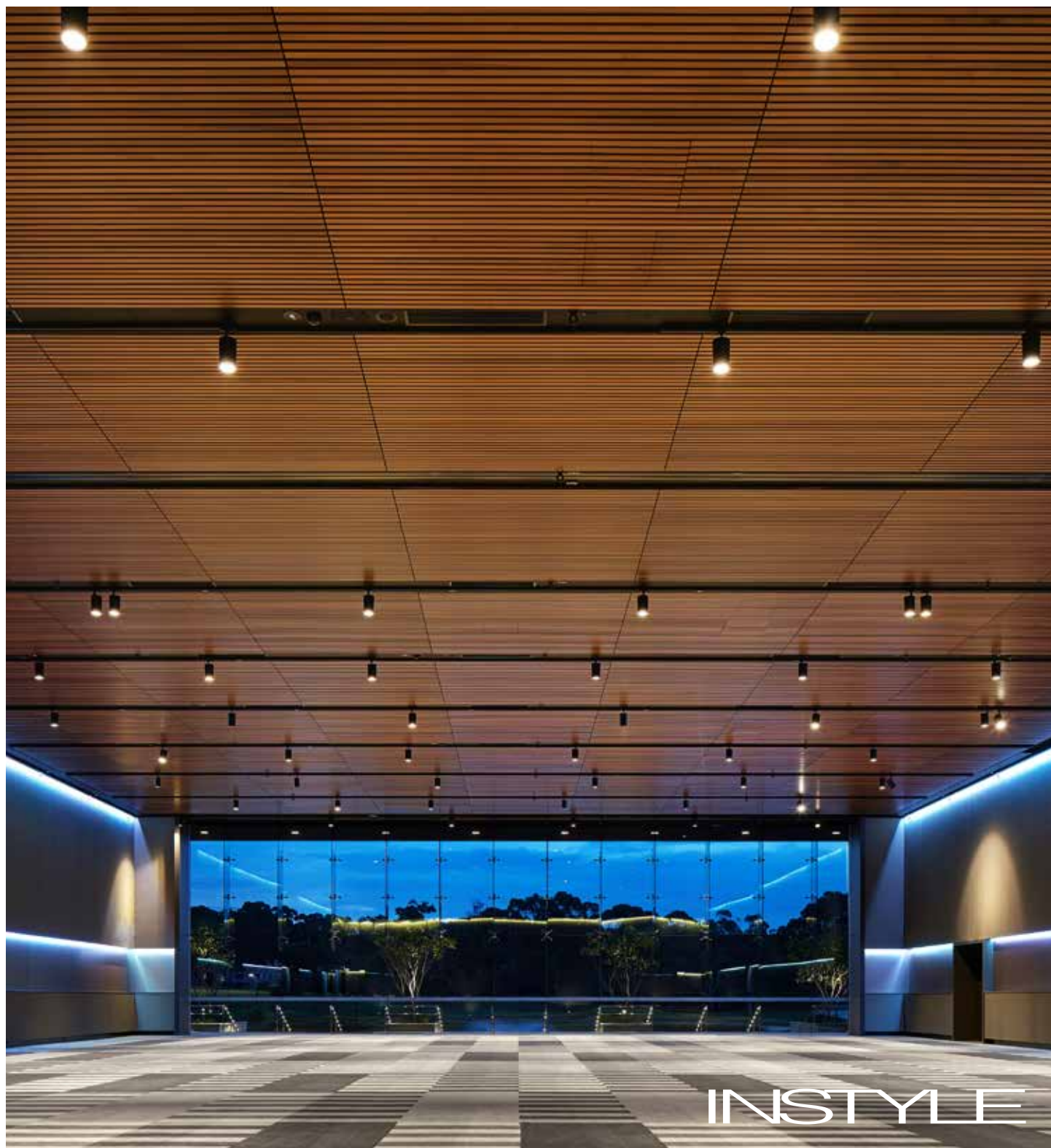
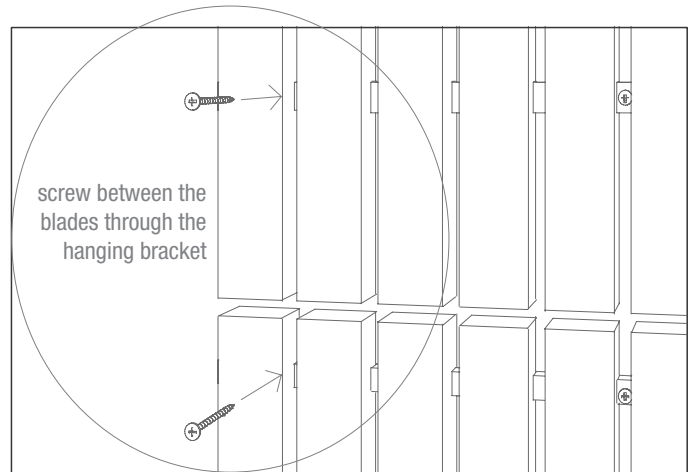
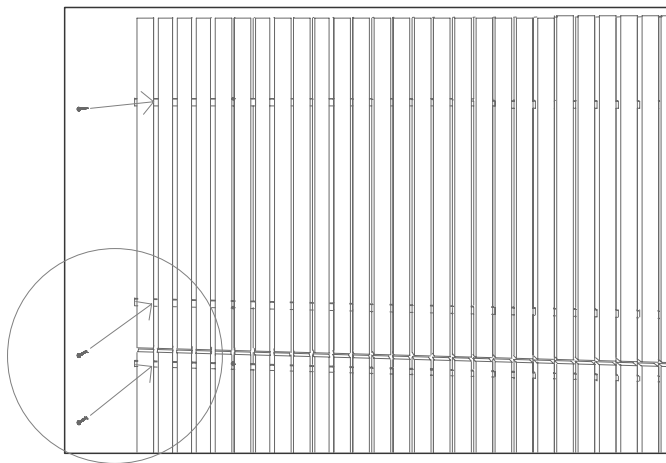


# Ecoustic® Blade Panel Installation + Care



INSTYLE

# Panel Installation



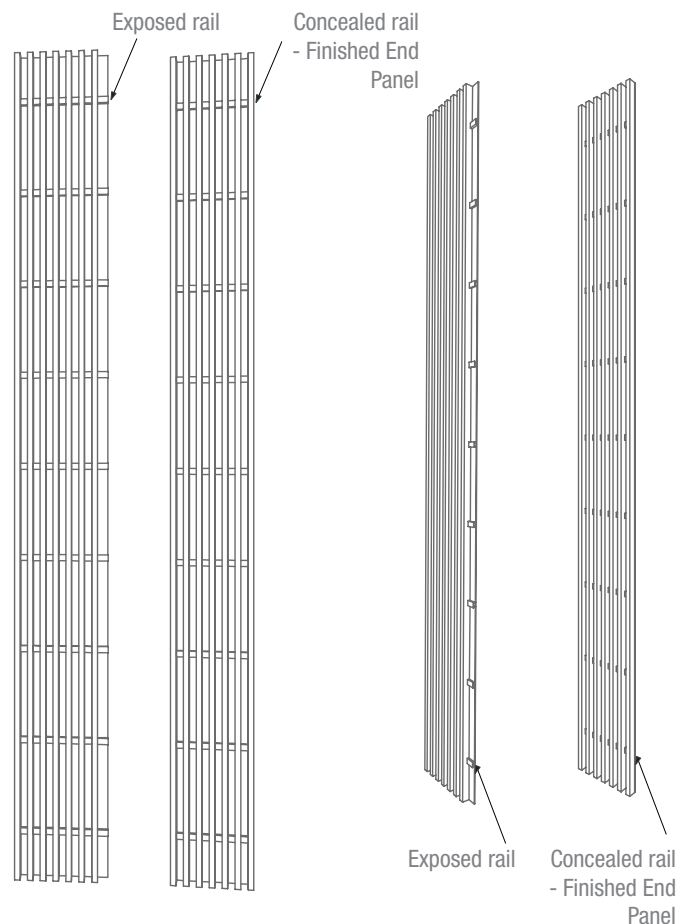
## SUPPLIED BY US

Ecoustic® Blade is supplied in box quantities as follows:  
305 x 2700mm: 4 x Ecoustic® Blade Panels per box

## FINISHED END PANELS

Exposed black aluminium rails extend beyond Blade profiles, which can be concealed within Finished End Panels if required (refer to our price list).

Please confirm if rails must be concealed when placing your order.



## INSTALLATION

The standard colour of the Ecoustic® Blade Panel hanging brackets is black. The use of colour matched black screws to install the panels further conceals the installation fixtures. Simply screw between the blades through the hanging bracket into structurally adequate stud framing, furring channels or substrate.

## CEILING APPLICATIONS

When installing as ceiling panels, installers must confirm the structural adequacy of the support framing system used.

A structural engineers safety certificate must be confirmed for all overhead installations.

## CARE

Ecoustic® Timber Blade ceiling tiles + panels are pre-finished in internal grade coatings therefore periodic dusting should keep the panels looking their best.

Should the panels require cleaning, we recommend wiping the panels down with a clean dry or damp cloth or duster.